

DECROBOND

APOLLO | SATURN | MERCURY

CUBICLE INSTALLATION GUIDE

IMPORTANT

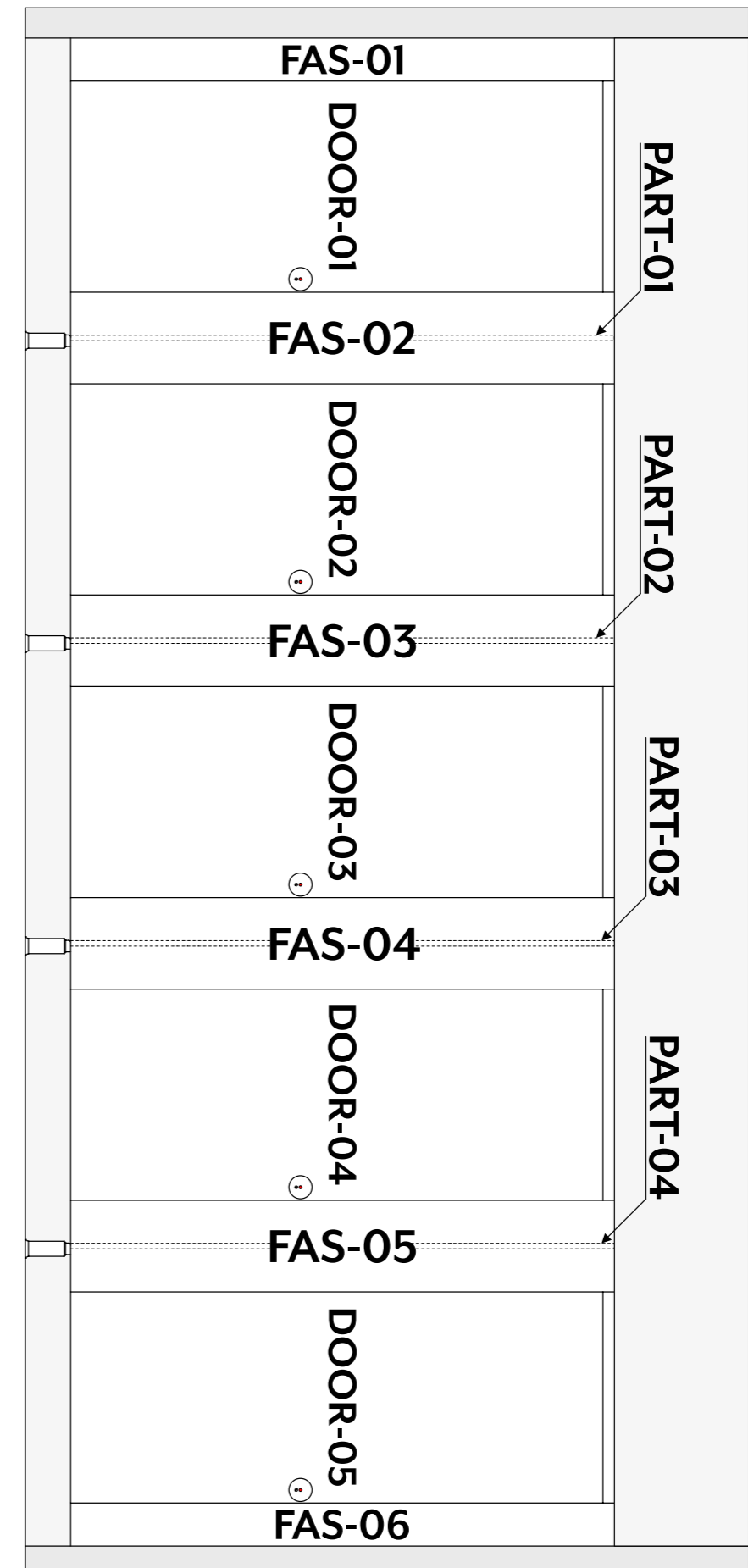
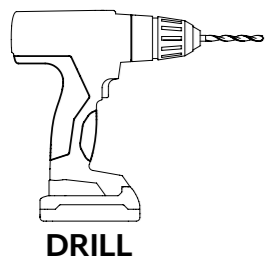
Before you begin installing, please ensure you have the correct type and quantity panels and fittings by checking against your workings drawings and/or quotation. All our washroom products are made-to-measure and therefore, the quantities of fittings and panels will vary based on each jobs specific requirements. The drawings shown in this guide may not be an exact representation of the product you receive.

Liability is limited to replacement of components due to manufacturing defect only and must be notified to us within **X** working days of receipt of delivery.

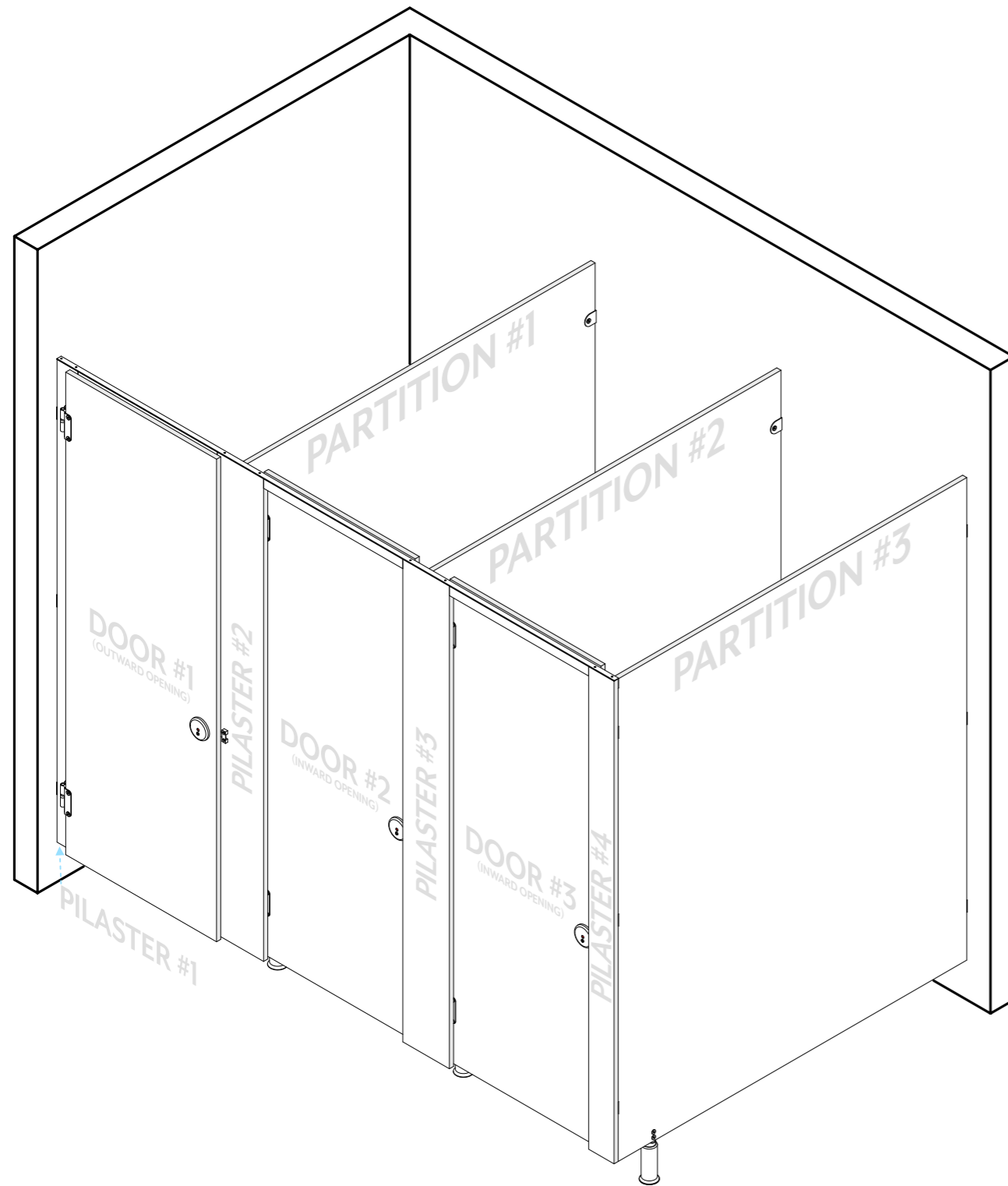
PLEASE READ PRIOR TO INSTALLATION

- Read through these instructions fully prior to installation to familiarise yourself with the installation process.
- The necessary fixings are included inside each pack of hardware, therefore we recommend that you do not open the individual packets of hardware until they are ready to be installed in order to prevent any misplacement.
- A minimum of 2 experienced joiners are recommended to install these products.
- Ensure the relevant safety measures and procedures are followed at all times.
- Check you have all the necessary tools from our recommended tool list prior to installation.
- Ensure the walls and floor are plumb and level and suitable for drilling into to secure the panels.

RECOMMENDED TOOLS



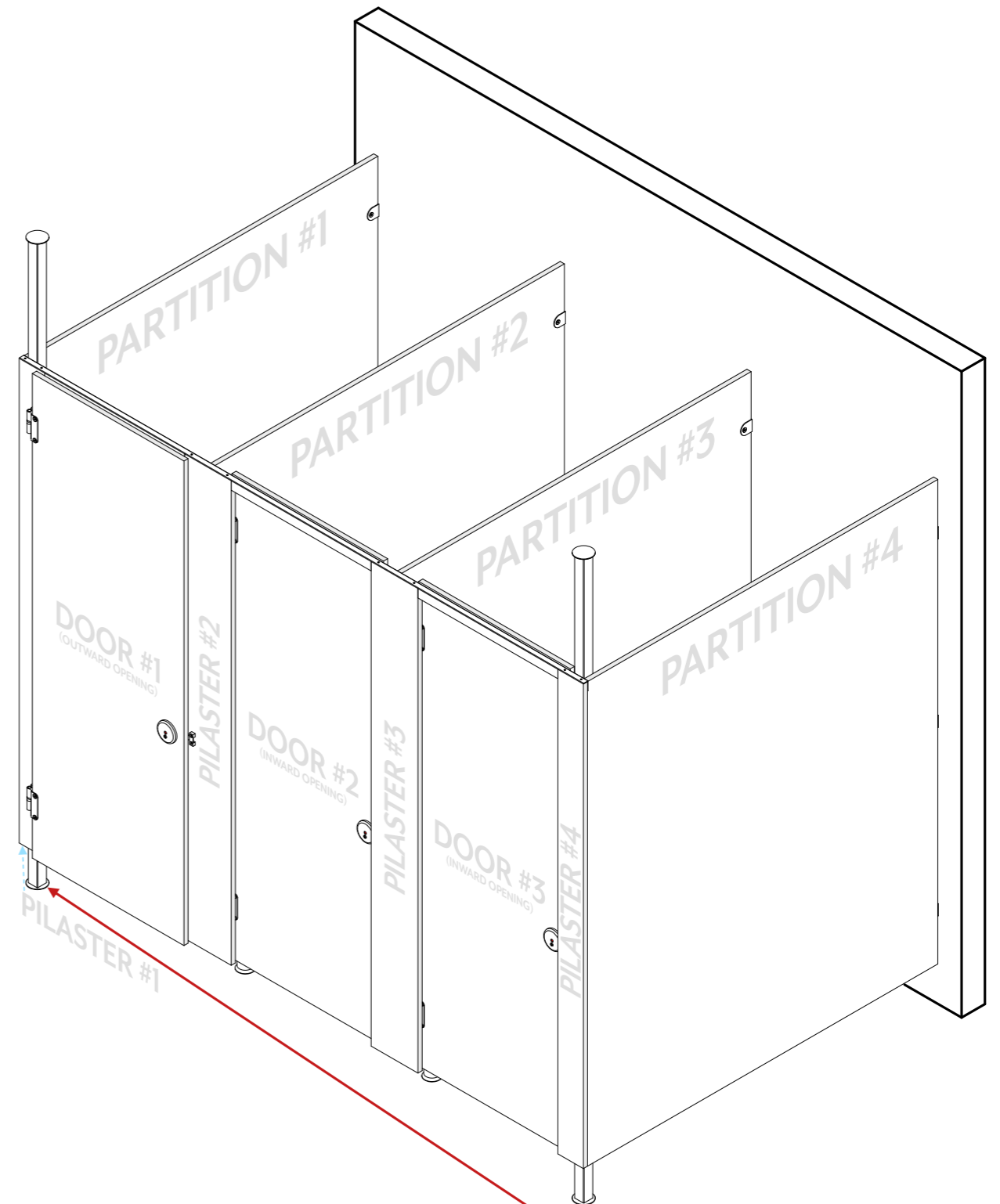
CORNER RANGE CUBICLE



Once the cubicle is assembled, test the doors, locking mechanisms and stability of the cubicles to ensure they have been correctly installed.

Follow the steps outlined throughout this guide to aid in the installation of all our cubicle ranges.

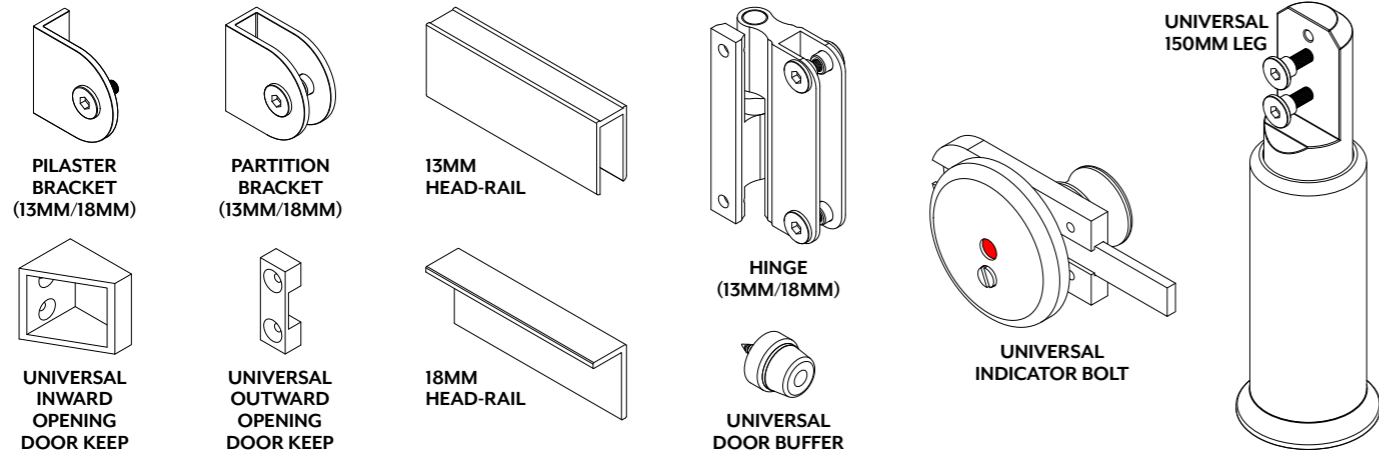
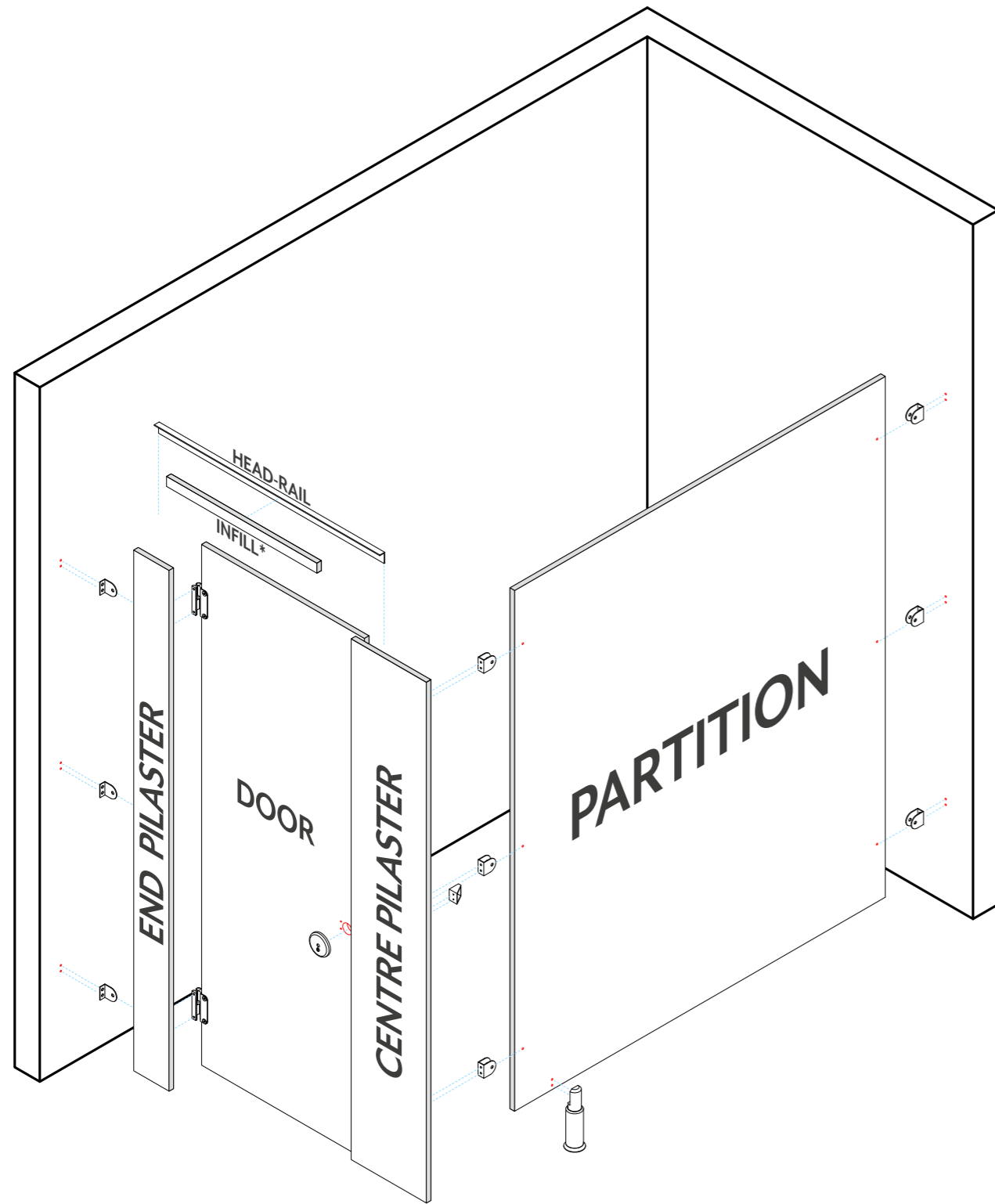
FREE-STANDING CUBICLE



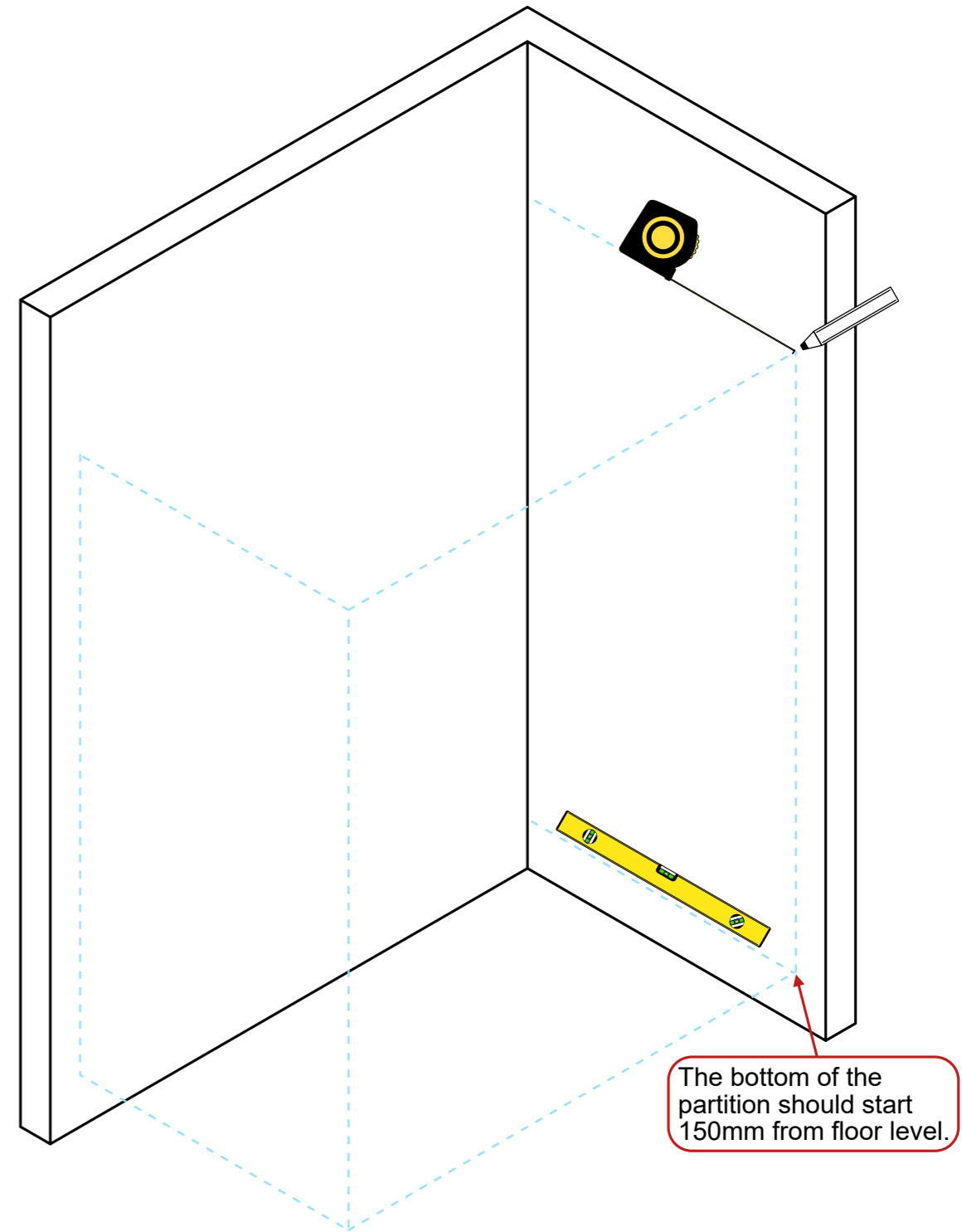
Once the cubicle is assembled, test the doors, locking mechanisms and stability of the cubicles to ensure they have been correctly installed.

Follow the steps outlined throughout this guide to aid in the installation of all our cubicle ranges.

Free-standing cubicles include x2 floor-to-ceiling columns which are fixed to the floor and ceiling to provide stability to the cubicles.

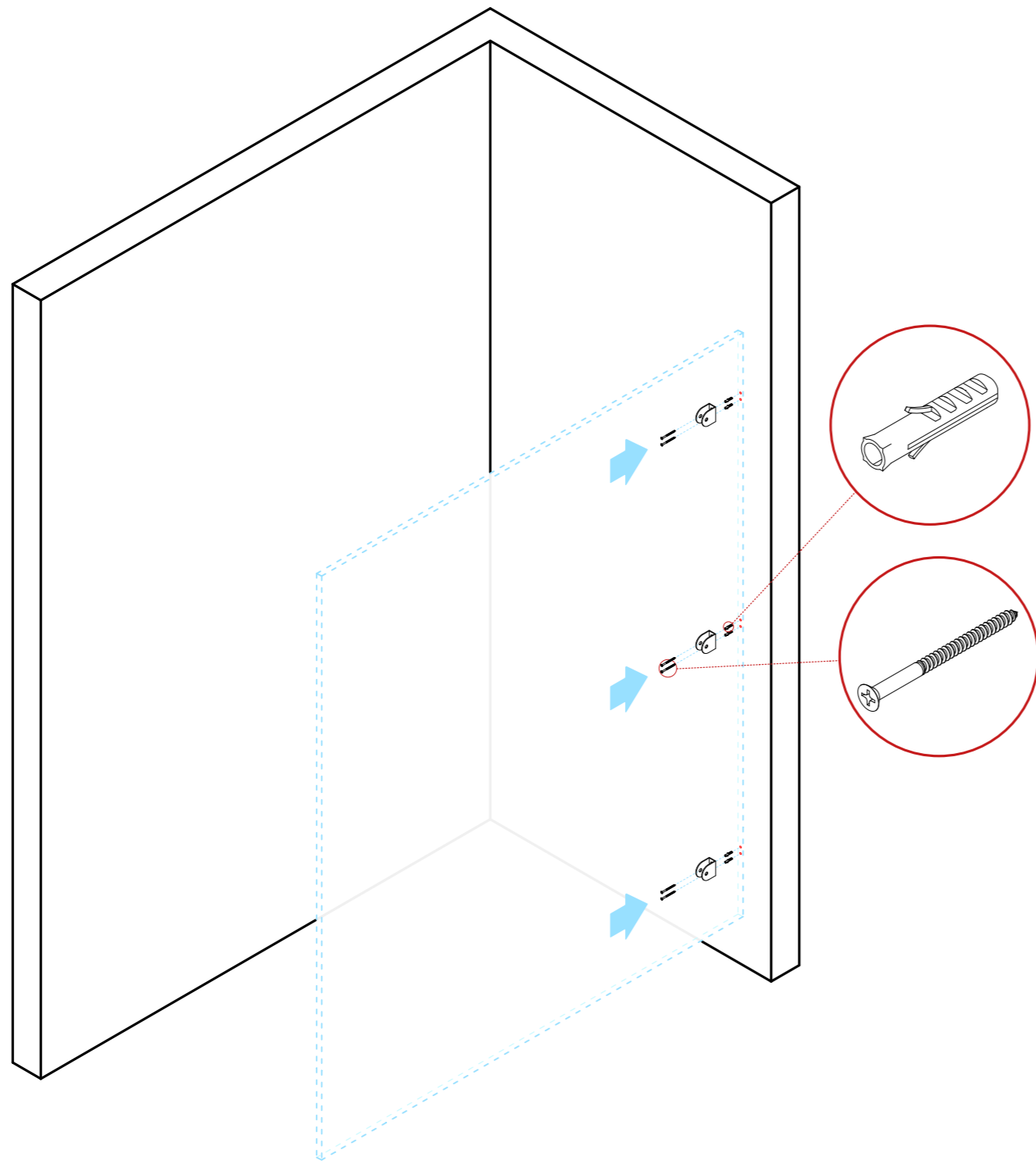


*INFILLS ARE ONLY SUPPLIED WITH CUBICLES FROM THE SATURN AND MERCURY RANGES



The bottom of the partition should start 150mm from floor level.

Mark out the centre lines of each partition ensuring all vertical lines are plumb.
Ensure the walls and floors are suitable for drilling, checking for pipes and wires.

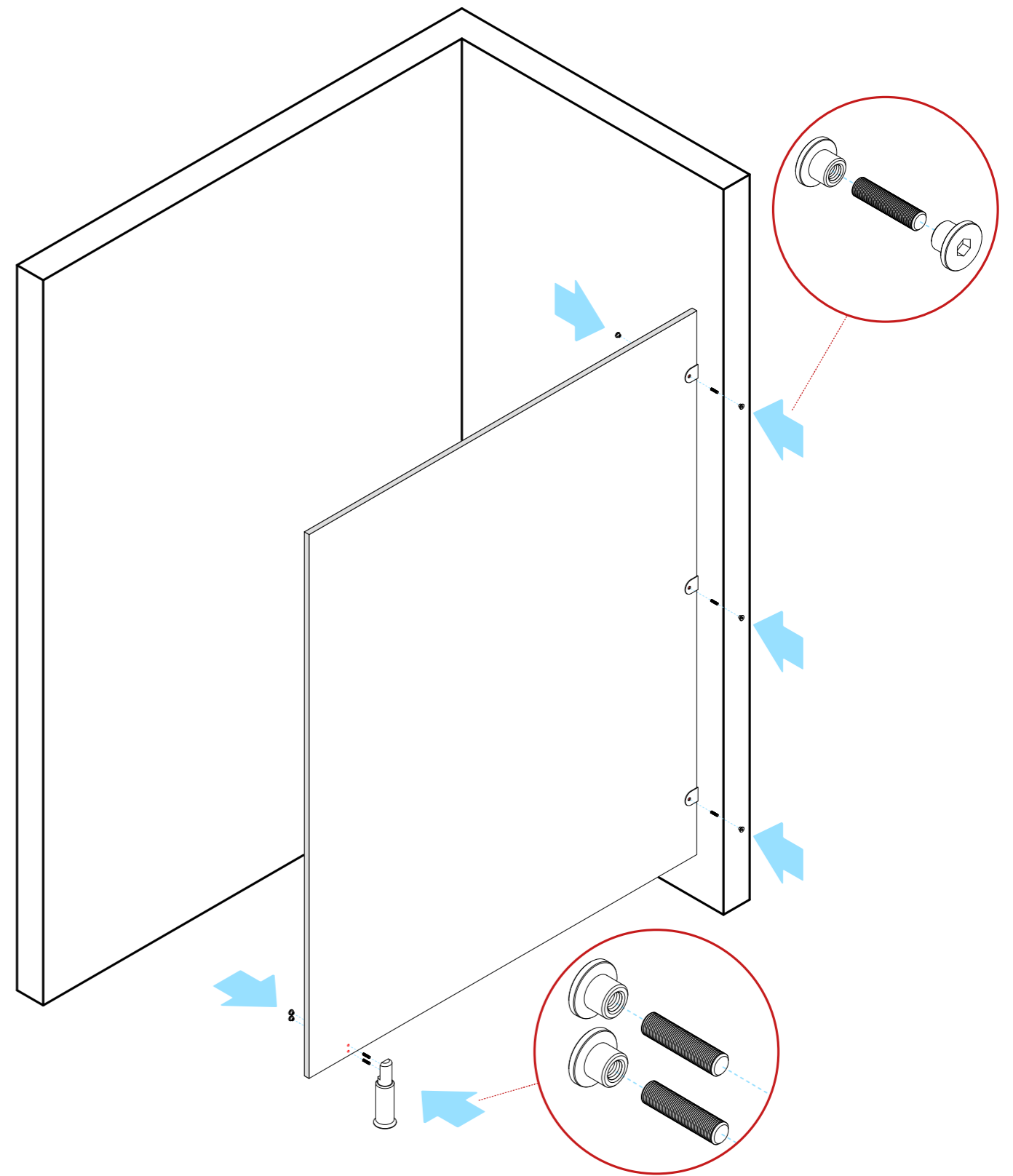


Attach the 3 'U' brackets along the centre line(s) with the wall plugs and fixings provided.

Ensure the brackets are evenly spaced along the height of the partition.

HARDWARE SHOWN

x3
PARTITION BRACKET (13MM/18MM)



Position the leg 100-150mm from the front edge of the partition. Drill through the partition and secure the leg with the fixings provided.

Place the partition between the 'U' brackets 150mm above floor level (adjustable). Mark and drill through the partition, securing with the fixings provided.

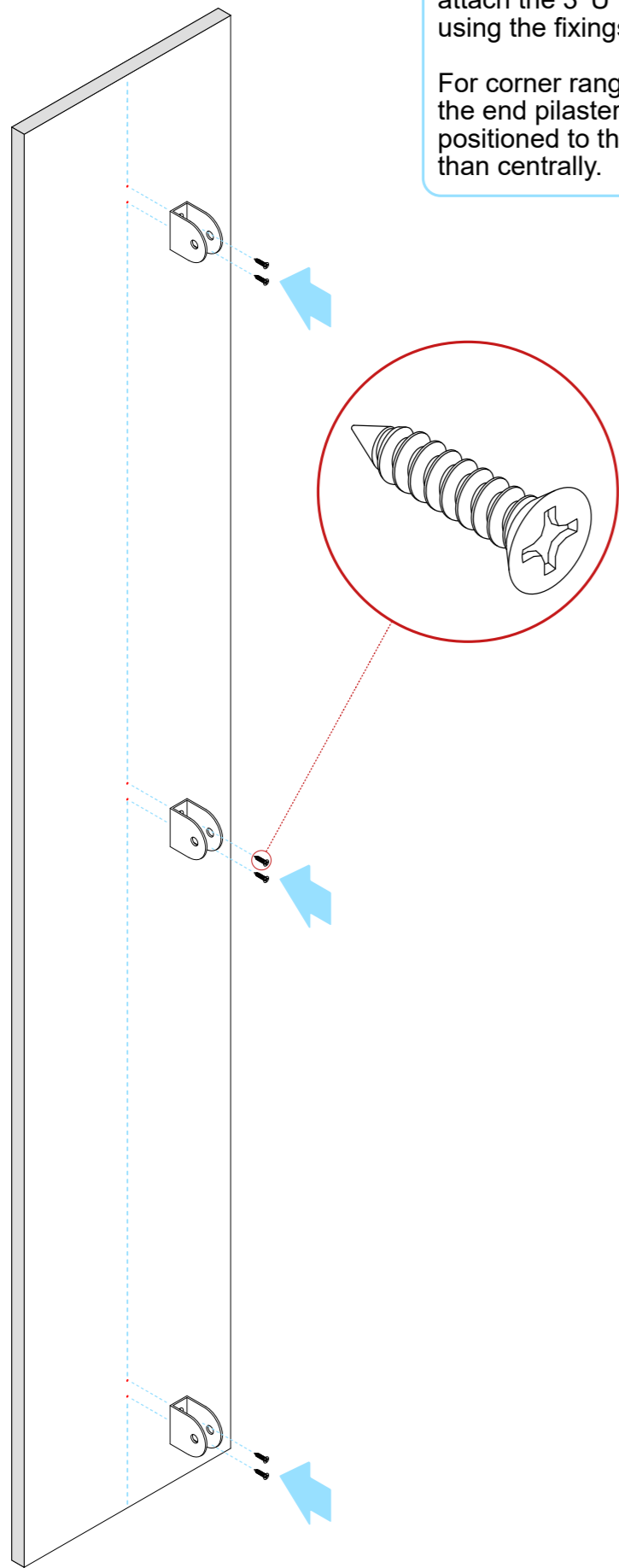
HARDWARE SHOWN

x3
PARTITION BRACKET (13MM/18MM)

x1
UNIVERSAL 150MM LEG

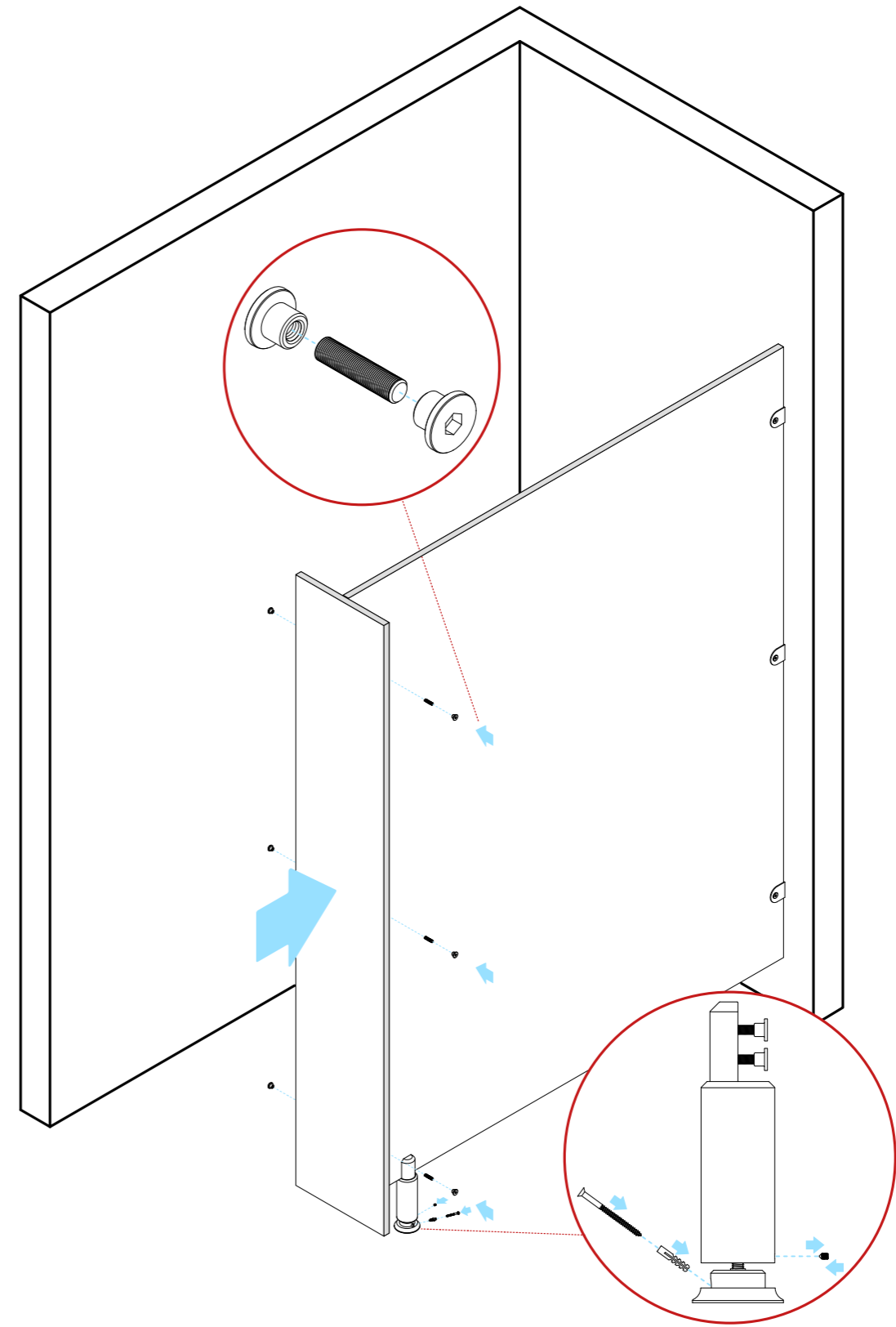
Mark a line along the centre of the centre pilaster, and attach the 3 'U' brackets adjacent to the ones on the wall using the fixings provided.

For corner range of cubicles, this is also applicable for the end pilaster, however the 'U' brackets must be positioned to the outer side of the end pilaster rather than centrally.



HARDWARE SHOWN

PARTITION BRACKET (13MM/18MM) x3



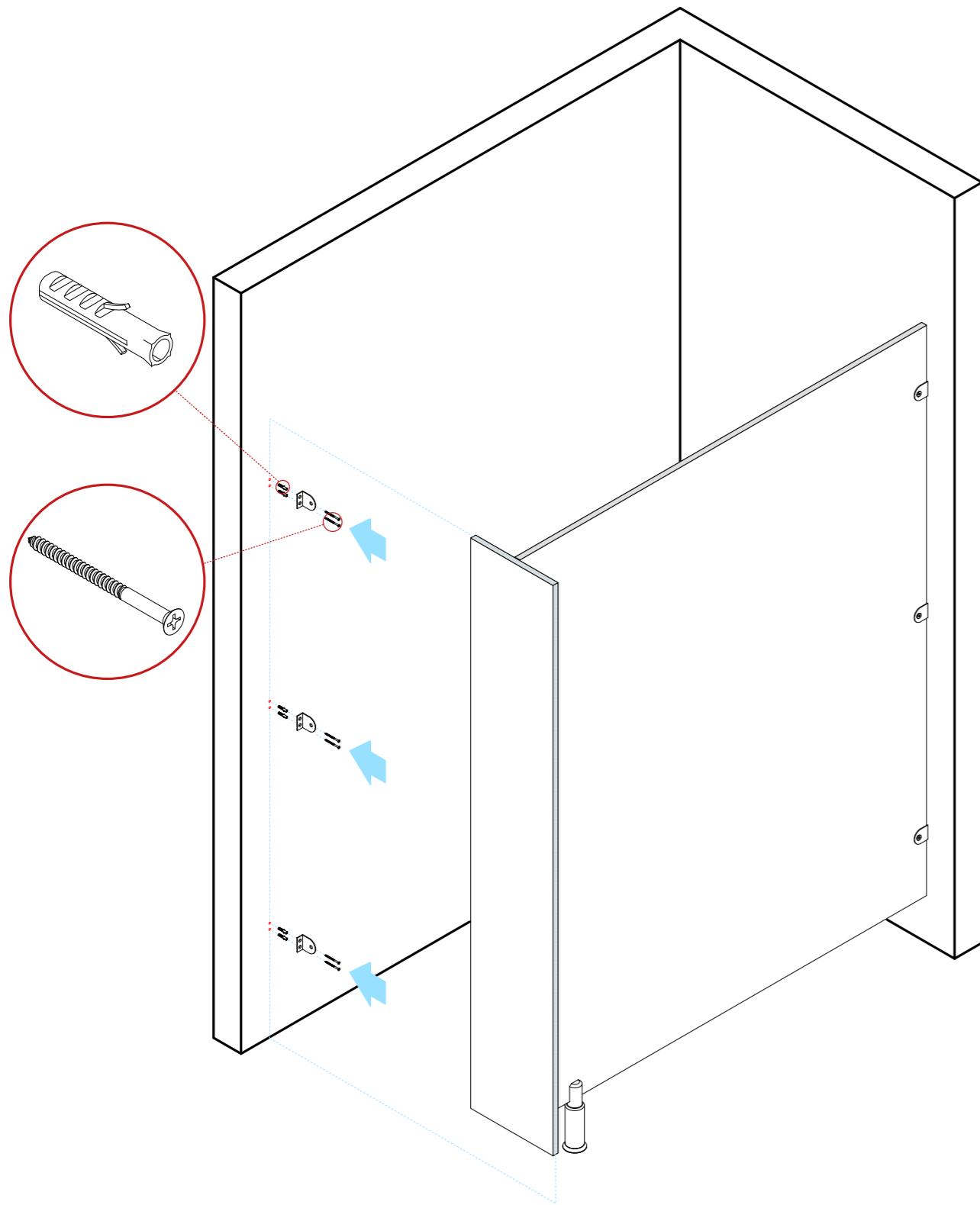
Drill through the partition and secure the pilaster to the partition with the 'U' brackets and fixings provided.

Release the casing of the leg by removing the set screw with an Allen key. Raise the casing up and secure the leg to the floor with the plug and screw provided. Lower the casing and re-insert the set screw.

HARDWARE SHOWN

PARTITION BRACKET (13MM/18MM) x3

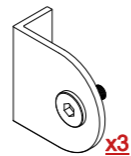
UNIVERSAL 150MM LEG x1



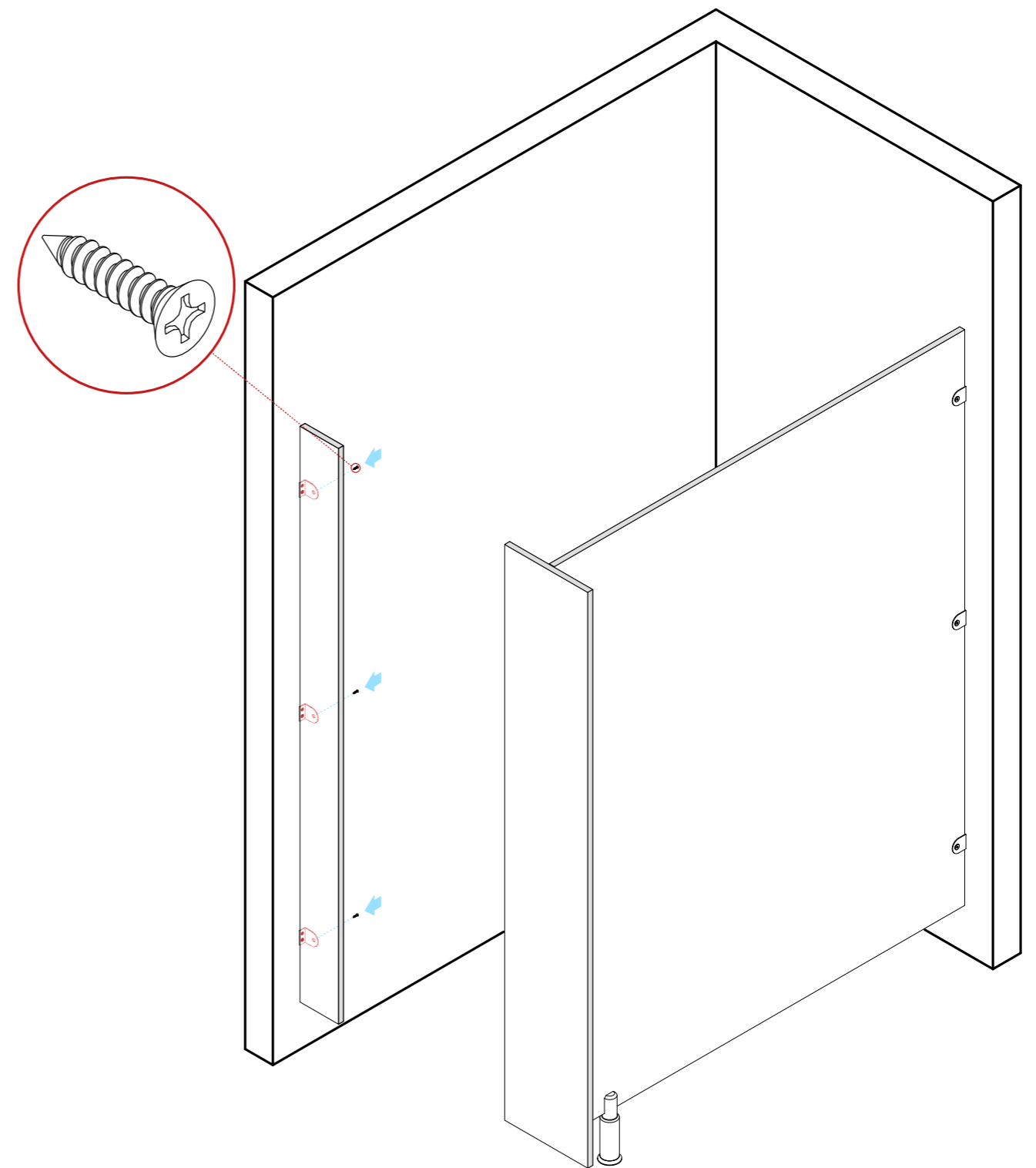
Mark out the centre line of the end pilaster ensuring it is perfectly parallel to the centre line of the centre pilaster.

Attach the 3 'L' brackets adjacent to those on the centre pilaster using the wall plugs and fixings provided.

HARDWARE SHOWN



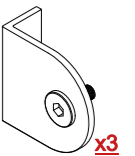
PILASTER BRACKET
(13MM/18MM) **x3**



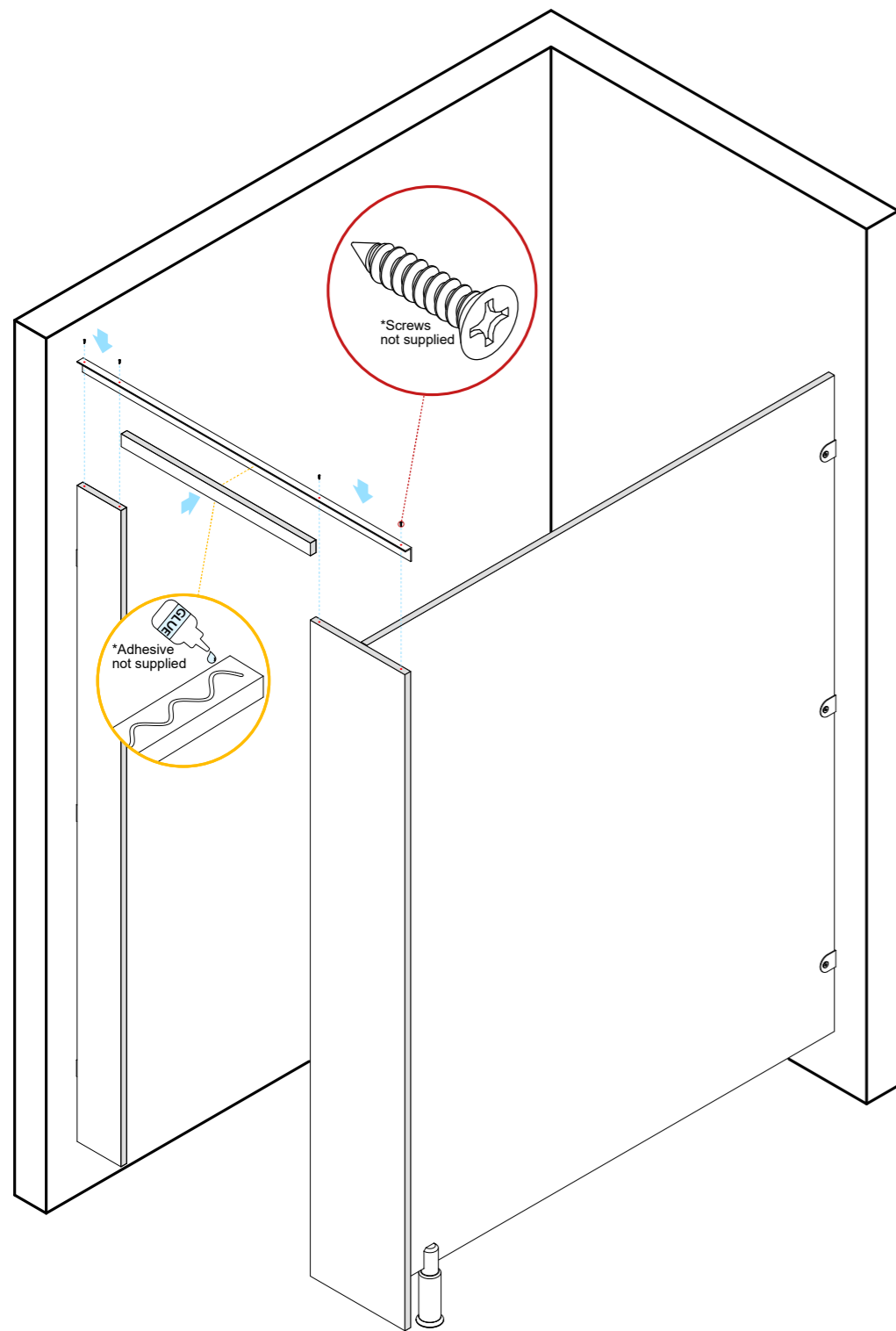
Place the end pilaster against the 'L' brackets, ensuring it is at the same height from the floor as the centre pilaster.

Attach the end pilaster using the fixings provided.

HARDWARE SHOWN



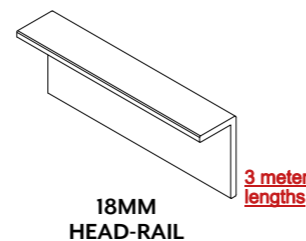
PILASTER BRACKET
(13MM/18MM) **x3**



Attach the head-rail along the length of the cubicles by drilling and screwing (not supplied) into the top of the pilasters. (Suggested installation method).

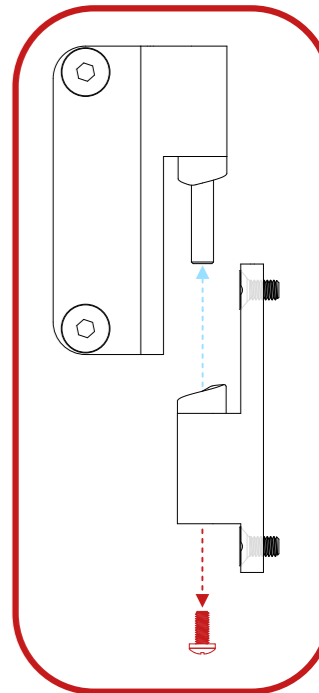
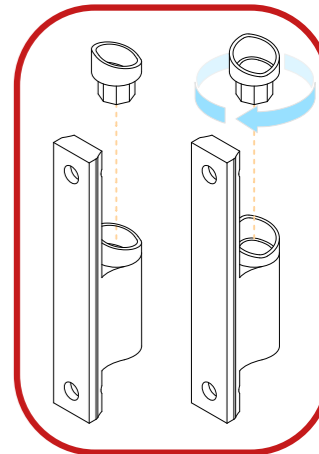
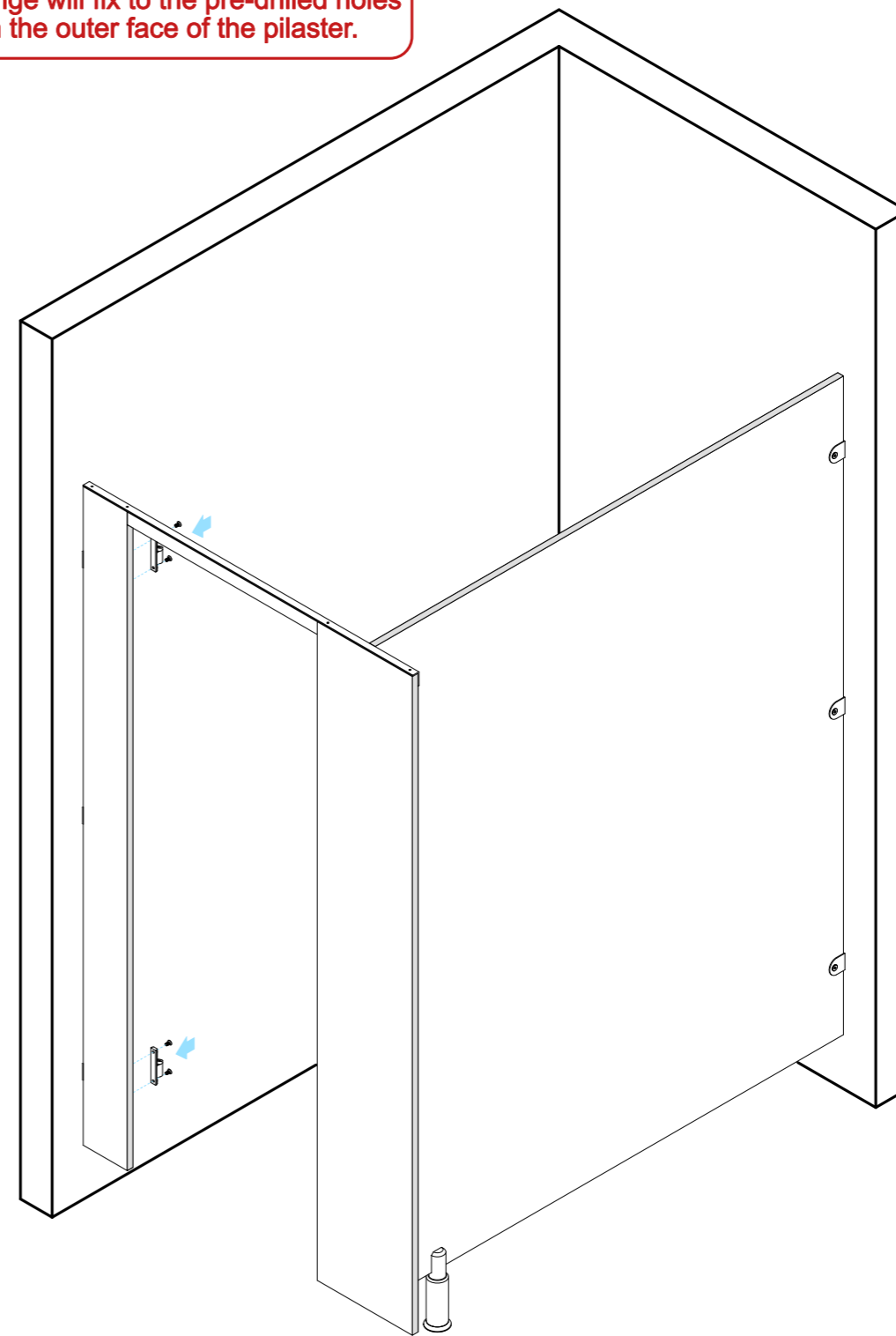
On **Saturn & Mercury** ranges, head rail infills are also provided. These are placed onto the head rail in the openings between the pilasters and are fixed in place with adhesive (not supplied).

HARDWARE SHOWN



*INFILLS ARE ONLY SUPPLIED WITH CUBICLES FROM THE SATURN AND MERCURY RANGES.

If the door is outward opening, the hinge will fix to the pre-drilled holes on the outer face of the pilaster.

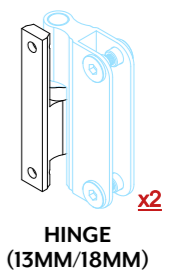


Begin by removing the connecting screw from the hinge (see green on detail).

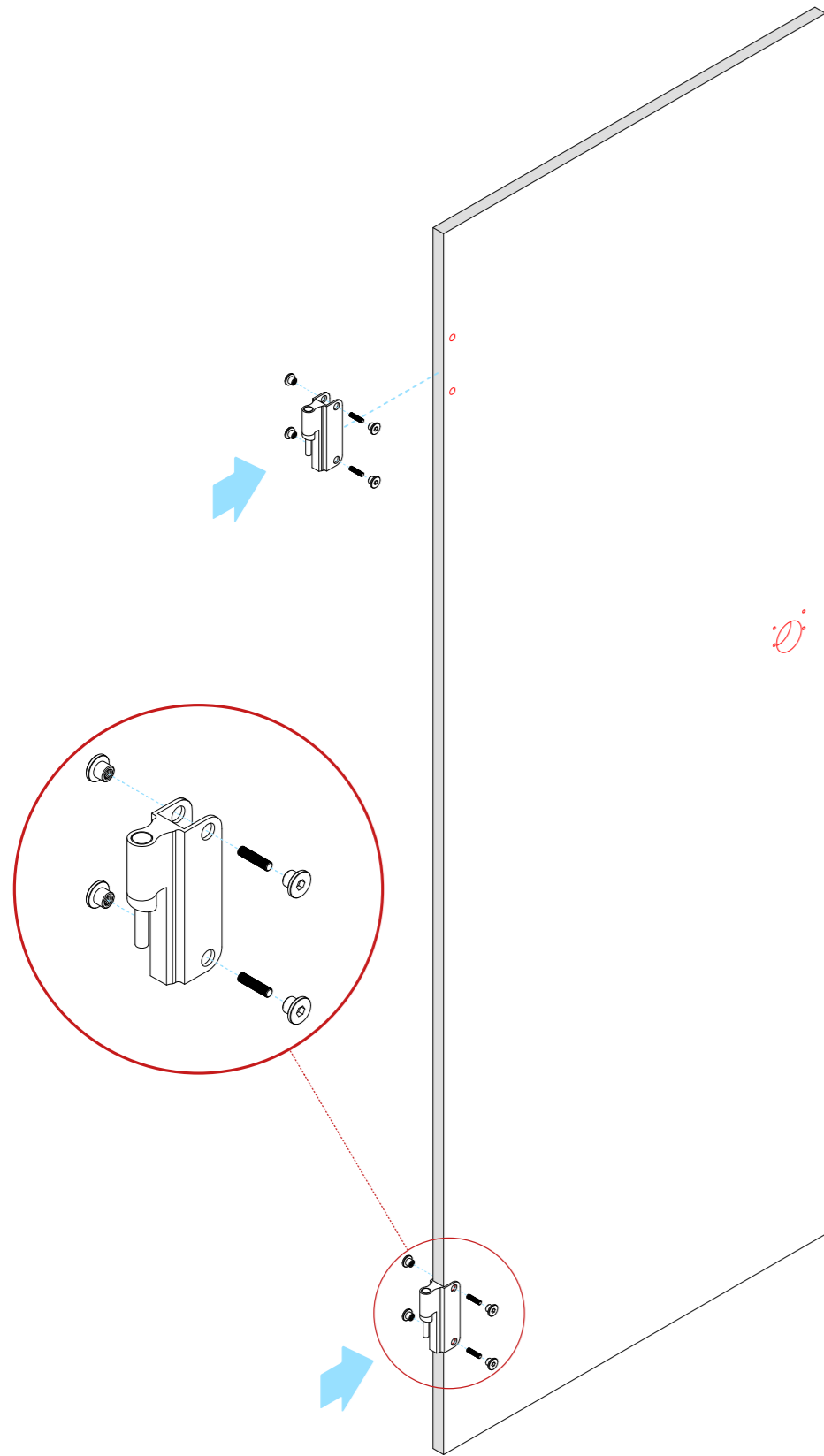
Attach the bottom half sections of the hinge to the pre-drilled holes on the pilasters with the fixings provided.

The hinge is set so that door swings open as standard, but can be altered to swing closed by rotating the plastic insert 90deg as shown.

HARDWARE SHOWN



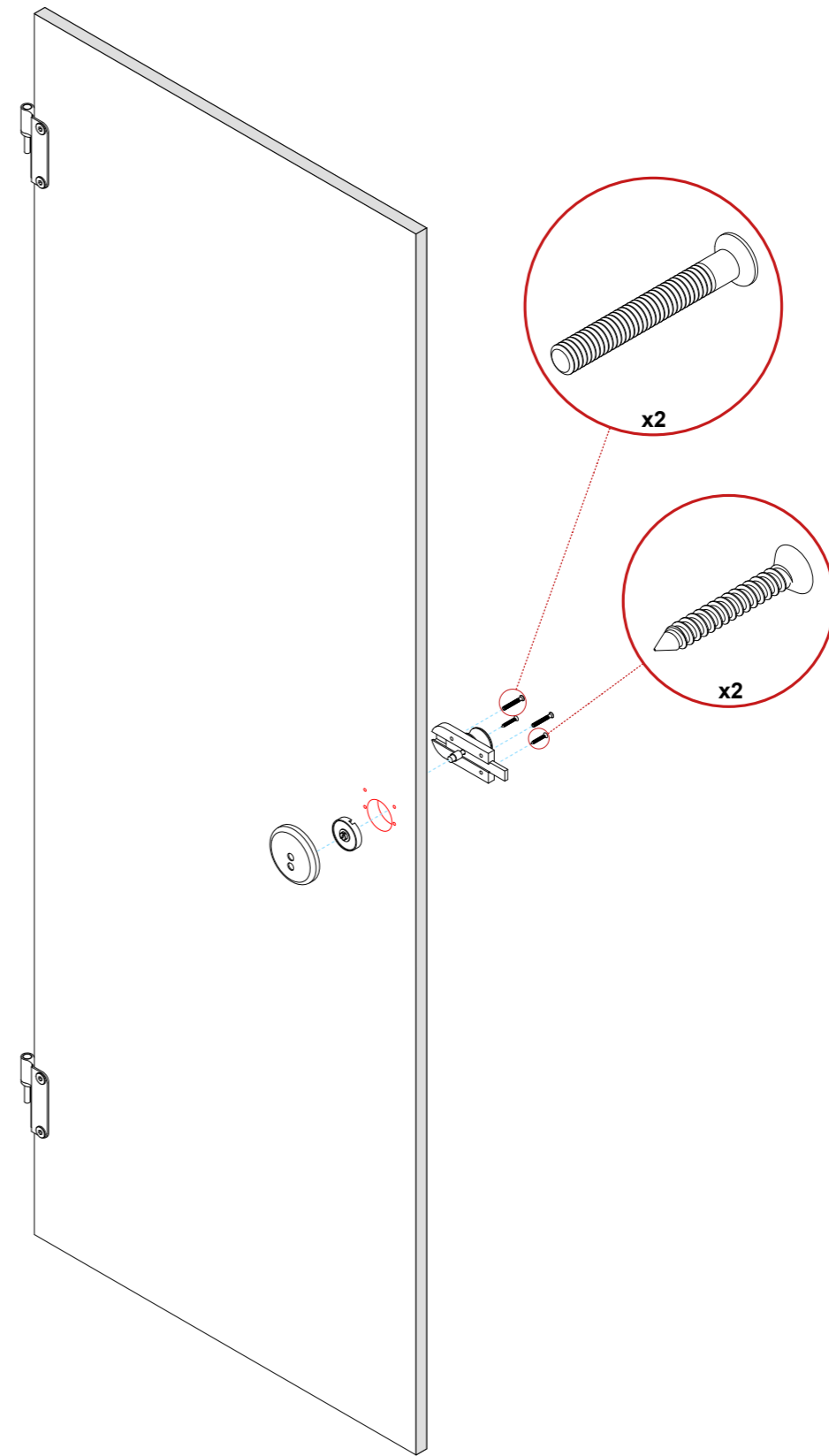
HINGE (13MM/18MM)



Attach the top part of the hinges to the pre-drilled holes on the door using the fixings provided.

HARDWARE SHOWN

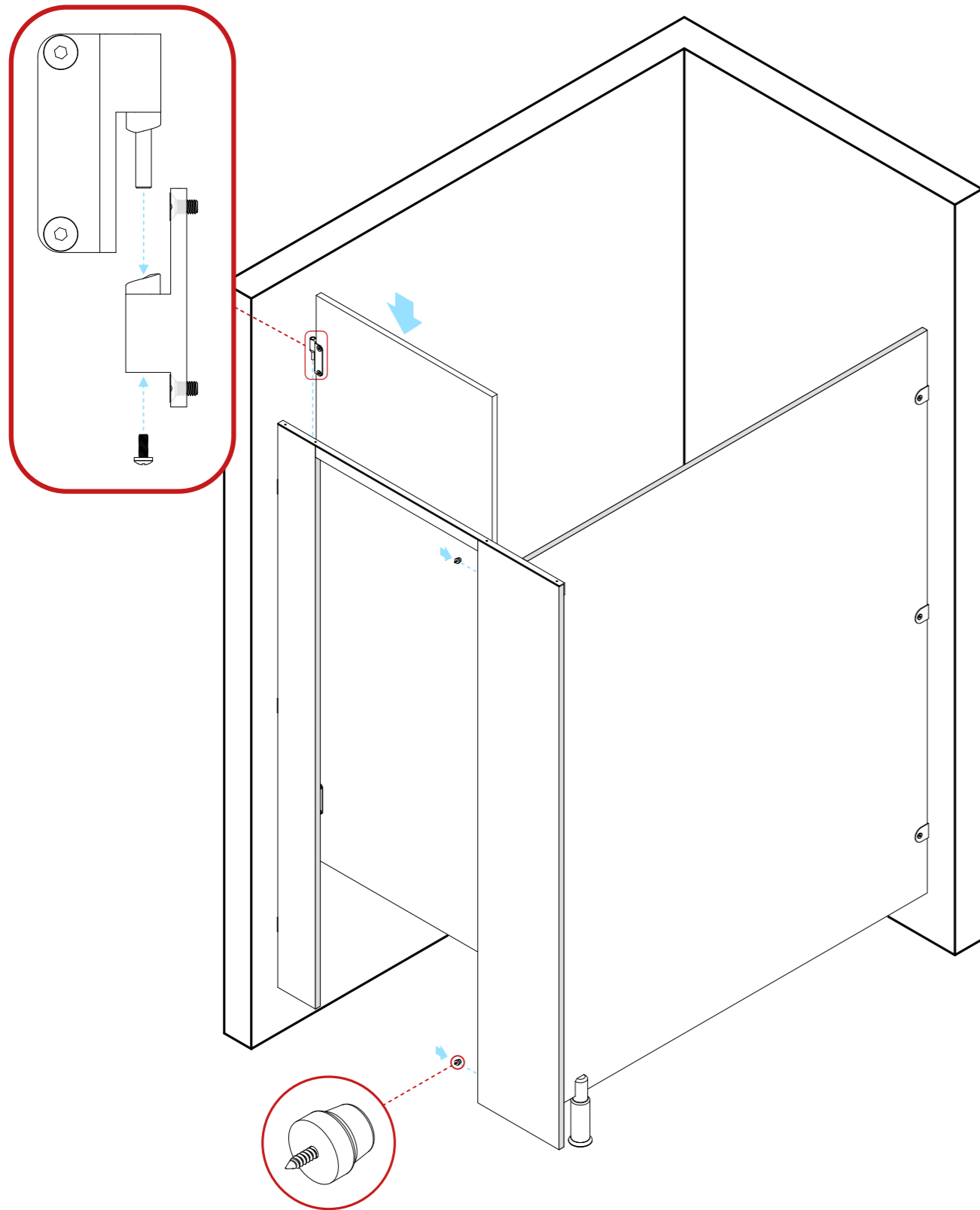
HINGE
(13MM/18MM) **x2**



Attach the indicator bolt to the door through the pre-drilled holes using the fixings provided.

HARDWARE SHOWN

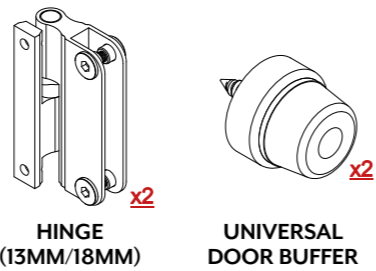
UNIVERSAL INDICATOR BOLT **x1**



Hang the door onto the pilaster by connecting the 2 hinge sections. Re-insert the connecting screw to the bottom of the hinge to secure in place.

The door buffers can be screwed onto the clashing pilaster at the top and bottom.

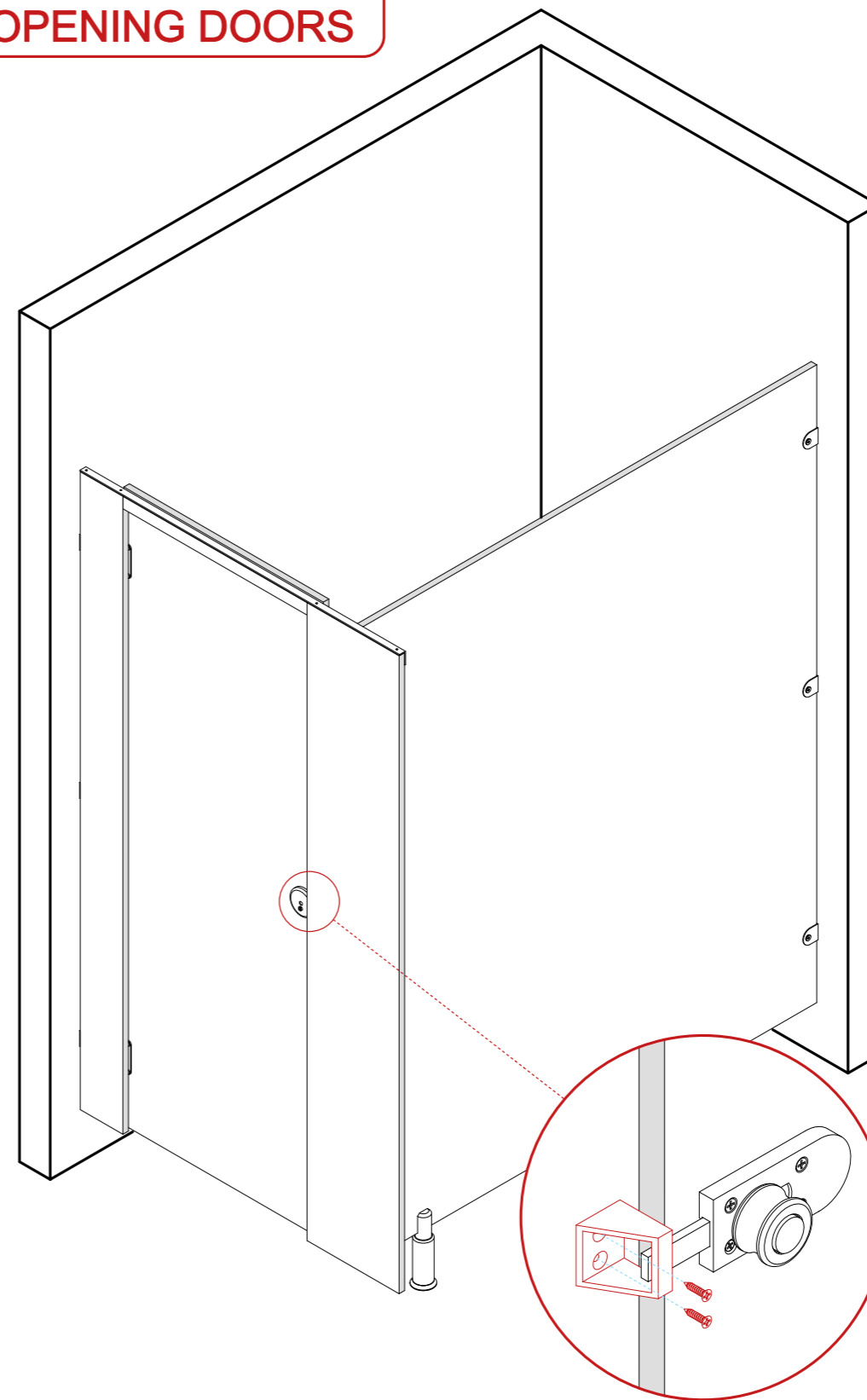
HARDWARE SHOWN



HINGE
(13MM/18MM) x2

UNIVERSAL
DOOR BUFFER x2

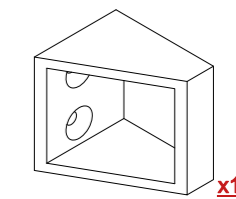
**KEEP FOR INWARD
OPENING DOORS**



Close the door and move the latch into the locked position (slide the latch handle towards clashing edge of the door).

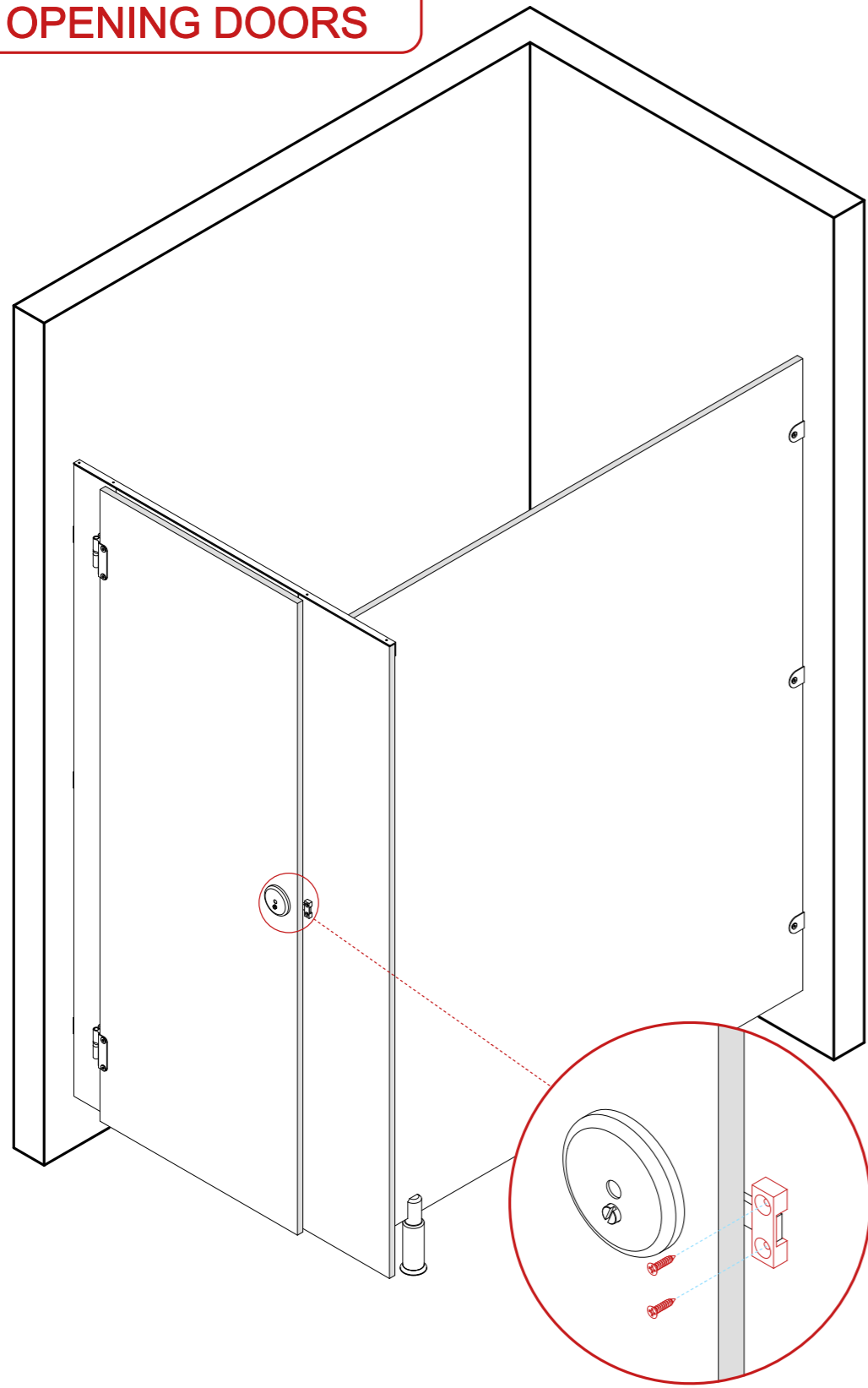
Align the keep as shown so that the latch bolt sits inside the keep and attach to the pilaster using the fixings provided.

HARDWARE SHOWN



UNIVERSAL
INWARD OPENING KEEP x1

**KEEP FOR OUTWARD
OPENING DOORS**



Close the door and move the latch into the locked position (slide the latch handle towards clashing edge of the door).

Align the keep as shown so that the latch bolt sits inside the keep and attach to the pilaster using the fixings provided.

HARDWARE SHOWN

**UNIVERSAL
OUTWARD OPENING KEEP** x1

A technical drawing of the 'UNIVERSAL OUTWARD OPENING KEEP' hardware. It is a rectangular metal piece with two circular holes on one side and a notch on the other. The text 'UNIVERSAL OUTWARD OPENING KEEP' is printed below the drawing, followed by 'x1' in red.